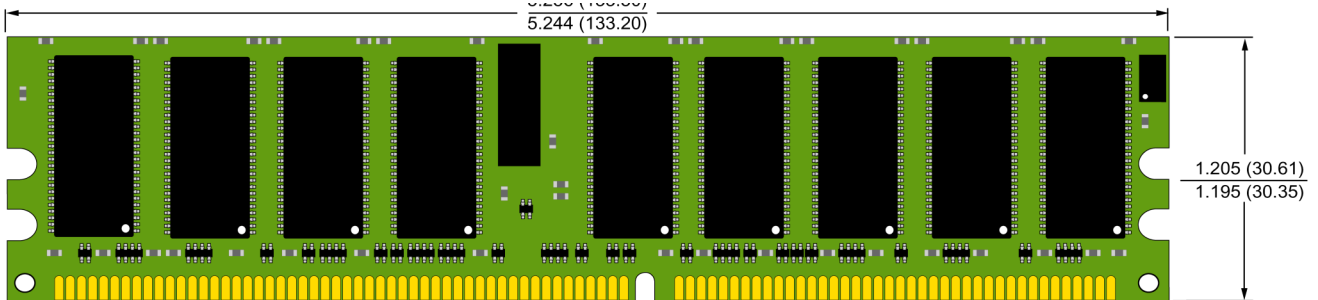
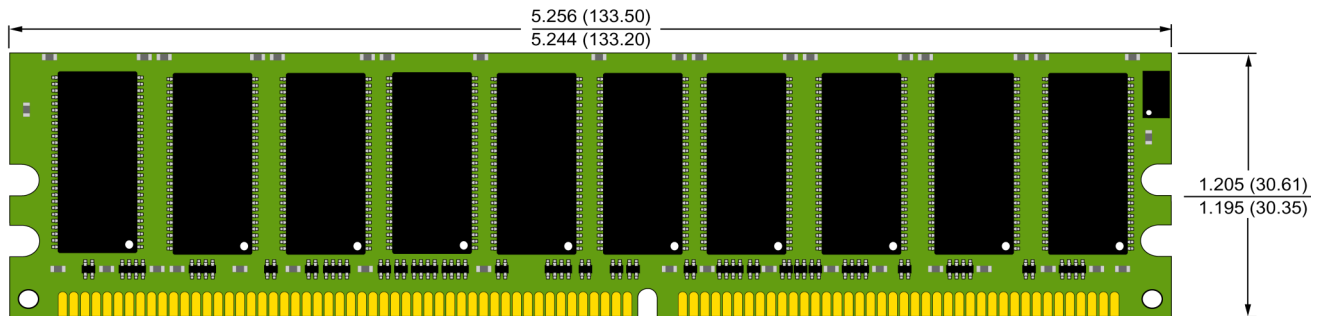


## Common Form Factors

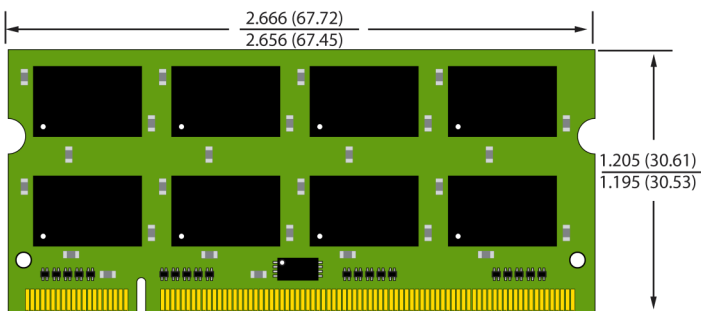
R-DIMM MO-206 184 PIN



U-DIMM MO-206 184 PIN



SO-DIMM MO-224 200 PIN



MINI-DIMM MO-258 200 PIN

